

# Alumexx®

**YOUR NEXT LEVEL SUPPORT!**

**CATALOGUE**

Version: 2.0



N-EN EN 1004 / 131 / 2484



## **Alumexx: Safety, Innovation and Environment**

**Safety, innovation and accountability. That is the basic structure for our products.**

**Safety for the users of our products and the environment. Innovations through material use in combination with an increasing safety during the application of our access products. As a result, Alumexx uses more and more raw materials, pre-selected because of their simple and friendly form of recycling. This reduces the burden on the environment and it also makes the packaging materials more efficient and environmentally friendly.**

**The technical knowledge and its company structure is based on the background of the founders of the company - founded in 1991. The brand Alumexx has emerged from this and the stable base will be expanded to the future.**

**The future of the production process consists mainly of cleverness and more efficient.**

**Alumexx continues the robotisation. Through innovation in all areas, coupled with far-reaching digitization, the continuing development will become more efficient and faster. This policy will lead to optimizing the company structure and it will benefit the product development. From this Alumexx will ensure safer and lighter access equipment, which the user, the market and our environment need.**

**Through this sustainable process, Alumexx will consciously deal with energy supply, waste and recycling. Alumexx is a leader in recycling and offers an almost optimal form of cradle-to-cradle. The in-house developed cradle-to-cradle system contributes to the optimization of over 95% recyclable products. Alumexx offers all their relations to return their rejected aluminium access equipment in order to process it in our facilities. We decompose the products, separate the various raw materials and ensure an optimal processing process. For example, all metal and plastics components are sorted again and processed into manageable and clean volumes. These components will be offered to our approved suppliers. Alumexx continues to develop on the circular chain. In addition, we optimize the supply chain together with all our relations. We are also aiming for paperless processes with digitization.**

**“Sustainability is at the top of every technical and logistical choice.”**

**Alumexx has all the attention for their employees, the heart of the organization! We offer a safe work environment with plenty of opportunities within our organization. Internal and external education programs, traineeship policy, informal corporate culture and the focus on a healthy balance between physical and mental well-being are of great importance for every strategic decision. Alumexx provides many traineeships, of course with the right and necessary guidance. In addition, we measure and monitor the health and safety of our employees. Alumexx is aware of the internal education and training, as well as the career development opportunities within the company. A win-win situation for the long-term strategy. The organization attaches great value to the loyalty and vitality of their employees. We recognize that the harmony between work and private life is of great importance.**



## TABLE OF CONTENTS

### STEIGERS

Alumexx BS 135x250 with AGS Light	4
Alumexx BS Platform Light 250   AGS Light 250	5
Alumexx AS Aluminium Scaffold	6
Alumexx BS Big Scaffold   Alumexx Transport frames	7
Alumexx Mini-X	8
Alumexx X-up Folding Tower	9
Alumexx Quicky	10
Alumexx Allround	11
Alumexx Eco-Line Folding Tower	12
Alumexx FS 75 Basic	13
Alumexx Blue Line Folding Tower	14
Alumexx Red Line Folding Tower	15
Alumexx FS 75   Alumexx 3-Sport folding unit	16
Alumexx FS 75 Folding Tower	17
Alumexx FS 100	18
Alumexx FS 100 Folding Tower	19
Alumexx Scaffold parts	20
Alumexx Scaffold accessories   Roof console   Scaffy	21

### LADDERS

Alumexx Blueline	22
Alumexx Eco-Line	23
Alumexx Basic 2 & 3	24
Alumexx Easy	25
Alumexx UP	26
Alumexx Twin Deck 2.0	27
Alumexx BT	28
Alumexx DT	29
Alumexx Mamut	30
Alumexx Industrial Steps	31
Alumexx Fiberglass GRP stepladders	32
Alumexx Fiberglass GRP double sided stepladder	33

### TRAPPEN

Alumexx Plateau Ladders	34
Alumexx 2- & 3-part ladders	35
Alumexx XD Single ladders	36
Alumexx 2- & 3- part ladders	37
Alumexx Fiberglass GRP single ladders	38
Alumexx Fiberglass GRP 2-&3- part ladders	39
Alumexx Multi Folding ladder	40
Alumexx Telescopic ladder 4x4   Adjustable foot	41
Alumexx Quickstep	42
Alumexx Telesteps	43
Alumexx Ladder accessories	44

### ACCESSOIRES

Alumexx Safetyclick	45
Alumexx X-Step	46
 Alumexx Handy-X	47
Alumexx Mortar tub trolley	48

## ALX BS 135 x 250 WITH AGS X-LIGHT

Alumexx introduces a new type of scaffolding, the ALX BS AGS X-Light. This well-equipped mobile tower is equipped with a light-weight AGS Light guardrail system (mandatory since 2018) and carbon deck platforms.

This ensures a platform that only weighs 12 kg.

The mobile tower has a working height of no less than 7.2 m and professional interior dimensions of 1.35 m - 2.50 m.



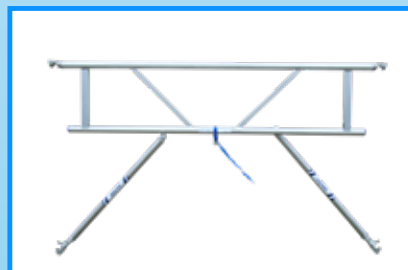
**NEW**

	Item number	Working height	Platform height
ALX BS AGS X-Light	8719998056075	720 cm	520 cm

6 x ALX Frame 135-7  
 2 x ALX BS Platform 250 Light (Carbon Deck)  
 2 x ALX AGS light 250  
 6 x ALX Diagonal Brace 250  
 2 x ALX Horizontaal Brace 250  
 2 x ALX Stabilizers  
 1 x ALX Toe board set 75-250  
 4 x ALX Wheel + spindle BG  
 8 x ALX Locking Clip

See page 20 for all loose spareparts

## PHOTOS

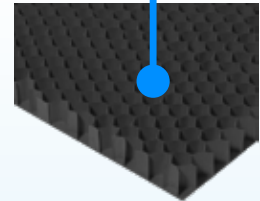
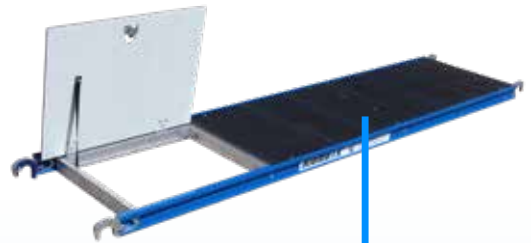


## ALUMEXX BS PLATFORM LIGHT 250 (CARBON DECK)

Separate platforms to extend your Alumexx mobile tower (BS mobile tower) with an extra working platform. The BS Platform 250 Light is an extra light weight platform equipped with a black Carbon Deck. The weight of the platform is only 12 kg.

Platform material: Carbon  
Standardization: NEN 1004 and EN 131

The coated platforms are also available with a wooden deck.



EXTRA LIGHT

	Item number
ALX Coated platform with trapdoor 250 - Carbon Deck (black)	8719998056358
ALX Coated platform with trapdoor 250 - Wooden Deck	8719998055887
ALX Coated platform without trapdoor 250 - Carbon Deck (black)	8719998056280
ALX Coated platform without trapdoor 250 - Wooden Deck	8719998055375

## ALUMEXX AGS LIGHT 250

A safer erection method for mobile towers has been entered into force from 1 January 2018. The main issue of this new safety regulation is the guardrail protection, consisting of at least one hip guardrail, which must be applied before entering the platform.

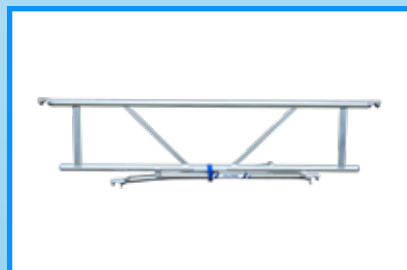
The ALX AGS Light is an extra light guardrail system in accordance with this new strict legislation, but the system is even more convenience. It is also robust, foldable and easy to transport.

The ALX AGS Light has a tube diameter of 50 mm and offers a stable and permanent solution.



	Item number
ALUMEXX AGS LIGHT 250	8719998055917

## PHOTOS



## ALUMEXX AS ALUMINIUM SCAFFOLD

The Alumexx Aluminum Mobile Tower (ALX AS) is a semi-professional and affordable mobile tower for the advanced handyman. The ALX AS has large dimensions and is even suitable for more than 10 meters working height.

The basis of the ALX AS consists of lightweight, high-quality aluminium in combination with industrial components. The ALX AS was developed by professionals and with optimization of the production process in combination with light components, the ideal price-quality ratio for safe working at height!

The aluminium tubes have a diameter of 50 mm and all parts have the basis of industrial components. (eg casted aluminium, polyester reinforced plastic etc.).

In addition, almost all joints are TIG-welded for the strongest connections.

Type 3.0 / 4.0 will be delivered with fixed stabilizers and type 3.1 / 4.1 with telescopic stabilizers.

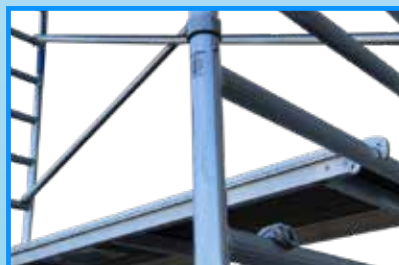


	Item number	Working height	Platform height
Type AS 0	990608963	430 cm	230 cm
Type AS 1	990608962	630 cm	430 cm
Type AS 2	990608960	630 cm	430 cm
Type AS 3	990608961	830 cm	630 cm
Type AS 3.1	990608965	830 cm	630 cm
Type AS 4	990608964	1030 cm	830 cm
Type AS 4.1	990608966	1030 cm	830 cm



Expand your BS, FS and AS Alumexx mobile tower with separate colored braces. Give your mobile tower a different or new look with these colored braces. Braces are interchangeable with all other common brands. The horizontal and diagonal braces can be supplied in colours.

## PHOTOS



## ALX MOBILE TOWER BS 135 X 250

The new Alumexx BS (Big Scaffold) Mobile tower. A spacious equipped mobile tower with a maximum working height of no less than 8.3 m. With the internal dimensions of 1.35 m x 2.50 m you even have a stable, safe and comfortable working environment at heights.

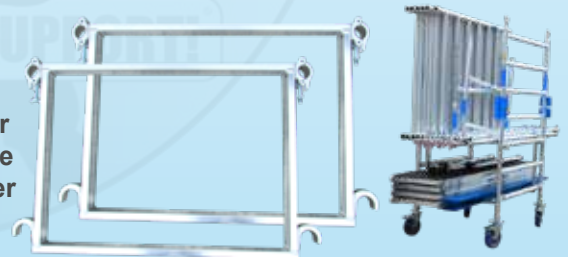
Completely constructed from class 3 aluminium (which is also used in the manufacturing of aircrafts). Complies with N-EN 1004 standards. The manually welded and pinched braces with a wall thickness of 1.6 mm provide extra stability. Because all components are made of aluminium, the mobile tower is light in weight, corrosion free and easy to move around.



	Item number	Working height	Dimensions
ALX BS 2.5-0	8719998055191	430 cm	135x250x230
ALX BS 2.5-1	8719998055337	630 cm	135x250x430
ALX BS 2.5-2	8719325137811	830 cm	135x250x630
ALX BS 2.5-3	8719998055320	1030 cm	135x250x830

## ALUMEXX TRANSPORT FRAMES

Alumexx has developed a frame to easily turn your BS or FS mobile tower into a trolley so you can efficiently transport your mobile tower. You can also easily bundle and store your mobile tower spareparts. The frame is universal and it fits on any other frame.



	Item number
ALX Transport frames	990609688

## DETAIL FOTO'S



## ALUMEXX MINI-X

Alumexx introduces a concept in safety and flexibility. The Alumexx Mini X offers you four functions: this folding scaffold can also be used as a stepladder, workbench and seat! Within a few seconds you have folded the handy Alumexx Mini-X very compact, ready for transport. If you need a nice place to rest and / or sit during a break, you can turn the Mini-X into a relaxed armchair within seconds!

The Mini-X meets all applicable requirements and standards through the standard supplied telescopic handrails, braces and anti-slip steps. Made of industrial materials and components, this is a high-quality and robust work equipment for a functional use.



	Item number	Dimensions	Working height
ALX Mini-X	990609412	75 x 75 x 100 cm	300 cm
ALX Mini-X platform	0001	75 x 75 cm	

YOUR NEXT LEVEL SUPPORT!

## PHOTOS





## ALUMEXX X-UP FOLDING TOWER

Alumexx introduces the X-up 1.0, 2.0, 3.0 and 4.0. A lightweight and robust Folding Tower, which can be erected and dismantled by one person, for multifunctional use. The aluminium construction is made of a tube with a diameter of 51 mm and very strong welded joints. Because of the high quality aluminium, the X-up is light in weight, strong and very manageable. Due to the foldable construction, the X-up is easy to store and transport.

The X-up folding scaffold is delivered with 4 braked wheels.



X-UP 4.0

	Item number	Dimensions	Working height
X-UP 1.0	ALX X-up1.0	125x160x75	275 cm
X-UP 2.0	ALX X-up2.0	125x320x75	400 cm
X-UP 3.0	ALX X-up3.0	125x450x75	575 cm
X-UP 4.0	ALX X-up4.0	125x500x75	600 cm

Do you already have an X-Up and would you like to expand it? Ask your dealer about the possibilities!

YOUR NEXT LEVEL SUPPORT!

## PHOTOS

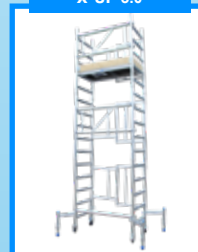
X-UP 1.0



X-UP 2.0



X-UP 3.0



## ALUMEXX QUICKY

Alumexx introduces a new type, small, folding tower: The ALX Quicky. An innovative factor is the collapsible platform.

As a result, a complete ALX Quicky folding scaffolding simply fits in almost every vehicle, without extra handling of the seats.

The ALX Eco Line Quicky is a very robust version with which you can work on 3 levels working height: 2.30 - 2.60 - 2.90 m. Given the simple but solid construction, it is a very labour-friendly folding scaffold at an attractive price-level.



	Working height	Item number
Level 1	230 cm	990609021
Level 2	260 cm	
Level 3	290 cm	

### Accessories

ALX Platform Quicky	8719998052954
---------------------	---------------

YOUR NEXT LEVEL SUPPORT!

## PHOTOS



## ALUMEXX ALLROUND

The ultimate all-rounder for the do-it-yourself!  
Can be used as:

1. Double Sided Stepladder
2. Ladder
3. Scaffold

Produced from high quality components, hereby the perfect mix of price / quality ratio. Complies with all legal safety standards.

Equipped with solid and safe fasteners, rubber and plastic spare parts.



	Working height	Item number
Double sided stepladder	300 cm	990609195
Ladder	400 cm	
Scaffold	300 cm	

YOUR NEXT LEVEL SUPPORT!

## PHOTOS



## ALUMEXX ECO-LINE MOBILE TOWER

The Alumexx Eco-Line Mobile Tower is suitable for private use and light work (class 2). Of course, with the look and finish level of Alumexx. This allows the handyman to use the Alumexx products and work safely at a greater height.

The Alumexx Eco-Line can be expanded with standard modules, so an operating height of 8 meters can be achieved. All parts are made of high-quality aluminium and are manually welded and manufactured.

The Mobile tower is very light and manoeuvrable in use. Naturally, the Eco-Line Mobile tower meets the legal requirements. Alumexx has developed this Mobile tower purely for private use. That is why the Eco-Line rolling tower is not suitable for use on the professional construction site.

The Eco-Line has a tube diameter of 40 mm and a wall thickness of 1.6 mm. The platforms are made of sturdy box profiles and equipped with anti-slip concrete-plex. There are 4 different modules available in the Eco-Line range in order to create a different working height.



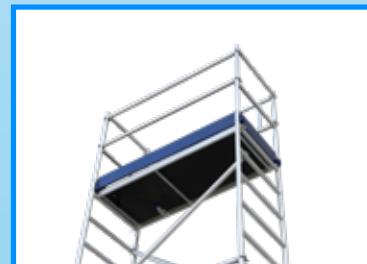
	Item number	Working height	Platform height
Module A	990609009	300 cm	100 cm
Module A+B	8719325137880	380 cm	180 cm
Module A+B+C	8719325137897	580 cm	380 cm
Module A+B+C+D	8719325137903	780 cm	580 cm

All modules are also available separately but must be used in sequence. (For example, module C cannot be used without modules A and B.) Only Module A can be used separately.

## INDIVIDUAL MODULES

	Item number
Module B	990609010
Module C	990609011
Module D	990609012

## PHOTOS



## ALUMEXX FS 75 BASIC

A very solid folding tower for in and around the house. Dimensions 75 x 190 cm, and a working height of over 3 meters. Thanks to the robust and simple folding system ready for use within 1 minute!

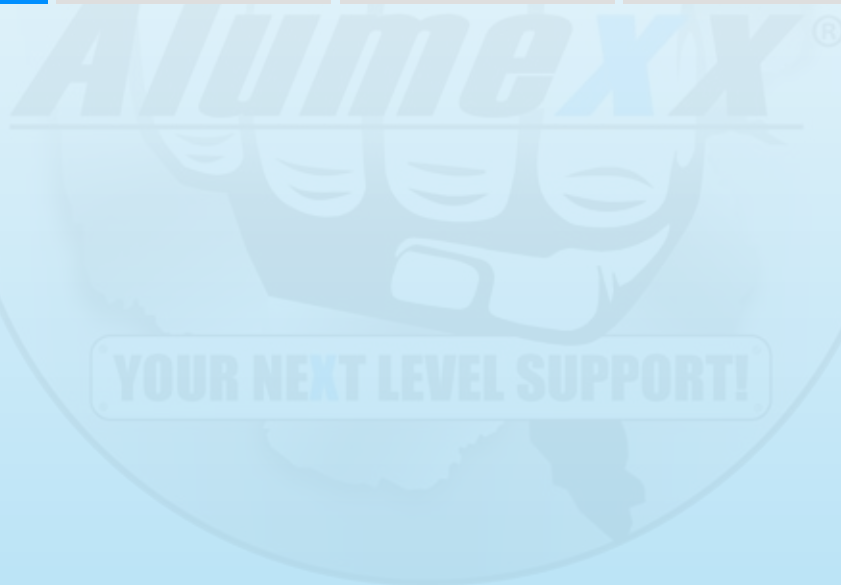
A quality product produced in Holland made of high-quality aluminium extrusion with a diameter of 51 mm. Equipped with 4 braked wheels 125 mm and a high-quality and lightweight platform without trapdoor. Weight in total 29 kg.

The folding tower meets all the requirements, among others, NEN-EN 1004 class 3 / TÜV. The ALX FS 75 is produced from 51 mm diameter, high-quality aluminium. The welding process is made by TIG welding.

The maximum load is 375 kg.



	Item number	Working height	Dimensions
ALX FS 75 Basic	8719325137545	315 cm	75 x 190 x 155 cm



## PHOTOS



## ALUMEXX BLUE LINE FOLDING TOWER

The Blue Line folding tower is a compact tower. Ready for use in 1 minute thanks to the robust and simple folding system!

This folding tower offers a working height of 3 meters. Ideal for jobs in and around the house. The 5-sport folding unit has no extension pins. Equipped with 4 braked wheels 125 mm.



	Item number	Working height	Dimensions
Blue line without trapdoor	8719998051728	315 cm	75 x 190 x 195 cm

### Accessoires

ALX Platform blue line 190	8719998052756
----------------------------	---------------

YOUR NEXT LEVEL SUPPORT!

## PHOTOS



## ALUMEXX RED LINE FOLDING TOWER

The Red line folding tower is solid and made of high-quality material and you can extend this folding tower up to a working height of 7.5 meters.

With a 3-sport folding unit and a toeboard set, you already have a full mobile tower.

The Red line folding tower is equipped with 4 red braked wheels of 125 mm.

The platform with red beams is equipped with a wind hook so that it is secured to the frame.



	Item number	Working height	Dimensions
Red Line without trapdoor	8719998051735	315 cm	75 x 190 x 195 cm
Red Line with trapdoor	8719998055160	315 cm	75 x 190 x 195 cm
Red Line 3 meter ph	8719998052725	400 cm	75 x 260 x 200 cm
6-Sport Folding unit pin	8719998052749	400 cm	75 x 260 x 200 cm

YOUR NEXT LEVEL SUPPORT!

## PHOTOS



## ALUMEXX FS 75

Alumexx introduces the ALX FS 75. High-quality level and for professional and do-it-yourself use. The ALX FS 75 is also simple and robust, as well as light in weight, strong and flexible in use / maintenance. In addition, the ALX FS 75 can also be extended to a working height of over 8 meters. This Alumexx product has been developed entirely in-house and is a truly Dutch product.

A very safe product for years of working enjoyment!

The folding scaffold meets all the requirements, among others, NEN-EN 1004 class 3 / TÜV. The ALX FS 75 is produced from 51 mm diameter, high-quality aluminium. The welding process is made by TIG welding. One of the strongest aluminium connections in the world!

Available with platform with and without trapdoor.



	Item number	Working height	Dimensions
FS 75 without trapdoor	990609552	335 cm	75 x 190 x 195 cm
FS 75 with trapdoor	990609553	335 cm	75 x 190 x 195 cm
3-Sport Folding unit cap	ALX fs-3sp		75 x 115 x 200 cm
6-Sport Folding unit pin	990609558		75 x 185 x 200 cm

## ALUMEXX 3-SPORT FOLDING UNIT

As an extension to your ALX folding tower 75. With this foldable unit you can extend the working height of your standard folding tower by 1 meter. Very robust, light and easy to transport.



## PHOTOS





## ALUMEXX FS 75 FOLDING TOWER

Alumexx introduces the ALX FS 100 as an addition to the ALX FS 75. The frame is 25 cm wider compared to the ALX FS 75, which means you can place the braces next to the platform.

High quality level and it can be used by the do-it-yourselfer. The ALX FS 100 is available in 5 different compositions with a maximum working height of 8 meters.



	Item number	Working height	Platform height
ALX FS 75 Type A	8719998054729	400 cm	200 cm
ALX FS 75 Type B	8719998054750	480 cm	280 cm
ALX FS 75 Type C	8719998054682	580 cm	380 cm
ALX FS 75 Type D	8719998054743	630 cm	430 cm
ALX FS 75 Type E	8719998054798	800 cm	600 cm

### Type A 8719998054729

- 1x ALX Folding unit 75-6 (pen)
- 1x ALX Folding unit 75-3 (dop)
- 1x ALX Platform with trapdoor 190 - wooden deck
- 1x ALX Horizontal brace 190
- 4x Wheel for Folding Tower 125 mm
- 10x Locking clips

### Type B 8719998054750

- 2x ALX Folding unit 75-6 (pen)
- 1x ALX Platform with trapdoor 190 - wooden deck
- 1x ALX Horizontal brace 190
- 4x Wheel for Folding Tower 125 mm
- 10x Locking clips

### Type C 8719998054682

- 1x ALX Folding unit 75-6 (pen)
- 2x ALX Frame 75-7
- 2x ALX Guardrail 75-2
- 2x ALX Platform with trapdoor 190 - wooden deck
- 3x ALX Diagonal brace 190
- 5x ALX Horizontal brace 190
- 2x ALX Stabilizer 180
- 1x ALX Set of toeboards 75x190
- 4x Wheel for Folding Tower 125 mm
- 13x Locking clips

### Type D 8719998054743

- 1x ALX Folding unit 75-6 (pen)
- 2x ALX Frame 75-7
- 2x ALX Guardrail 75-2
- 2x ALX Platform with trapdoor 190 - wooden deck
- 3x ALX Diagonal brace 190
- 5x ALX Horizontal brace 190
- 2x ALX Stabilizer 180
- 1x ALX Set of toeboards 75x190
- 4x ALX Wheel + Steel Spindle 200 mm (375 kg)
- 9x Locking clips

### Type E 8719998054798

- 1x ALX Folding unit 75-6 (pen)
- 4x ALX Frame 75-7
- 2x ALX Guardrail 75-2
- 3x ALX Platform with trapdoor 190 - wooden deck
- 6x ALX Diagonal brace 190
- 6x ALX Horizontal brace 190
- 2x ALX Stabilizer 180
- 1x ALX Set of toeboards 75x190
- 4x ALX Wheel + Steel Spindle 200 mm (375 kg)
- 13x Locking clips

## ALUMEXX FS 100

Alumexx introduces the ALX FS 100 as an addition to the ALX FS 75. High-quality level and for professional and do-it-yourself. The ALX FS 100 is also simple and robust, as well as light in weight, strong and flexible in use / maintenance. In addition, the ALX FS 100 can also be extended to a working height of over 8 meters. This Alumexx product has been developed entirely in-house and is a truly Dutch product. A very safe product for years of working enjoyment!

The advantage compared to the 75 folding scaffold is that the braces and platforms can be placed side by side at any height.

The folding scaffold meets all the requirements, among others, NEN-EN 1004 class 3 / TÜV. The ALX FS 100 is produced from 51 mm diameter, high-quality aluminium. The welding process is made by TIG welding. One of the strongest aluminium connections in the world!

Available with platform with and without platform.



	Item number	Working height	Dimensions
FS 100 without trapdoor	990609554	335 cm	100 x 190 x 195 cm
FS 100 with trapdoor	990609555	335 cm	100 x 190 x 195 cm
3-Sport folding unit dop	8719998999631		100 x 115 x 200 cm
6-Sport folding unit pen	990609559		100 x 185 x 200 cm

YOUR NEXT LEVEL SUPPORT!

## PHOTOS



## ALUMEXX FS 100 FOLDING TOWER

Alumexx introduces the ALX FS 100 as an addition to the ALX FS 75. The frame is 25 cm wider compared to the ALX FS 75, which means you can place the braces next to the platform.

High quality level and it can be used by the do-it-yourselfer. The ALX FS 100 is available in 5 different compositions with a maximum working height of 8 meters.



	Item number	Working height	Platform height
ALX FS 100 Type A-X	8719998054804	400 cm	200 cm
ALX FS 100 Type B-X	8719998054712	480 cm	280 cm
ALX FS 100 Type C-X	8719998054842	580 cm	380 cm
ALX FS 100 Type D-X	8719998054699	630 cm	430 cm
ALX FS 100 Type E-X	8719998055009	800 cm	600 cm

### Type A-X 8719998054804

- 1x ALX Folding unit 100-6 (pen)
- 1x ALX Folding unit 100-3 (cap)
- 1x ALX Platform with trapdoor 190 - wooden deck
- 1x ALX Horizontal brace 190
- 4x Wheel for Folding Tower 125 mm
- 10x Locking clips

### Type B-X 8719998054712

- 2x ALX Folding unit 100-6 (pen)
- 1x ALX Platform with trapdoor 190 - wooden deck
- 1x ALX Horizontal brace 190
- 4x Wheel for Folding Tower 125 mm
- 10x Locking clips

### Type C-X 8719998054842

- 1x ALX Folding unit 100-6 (pen)
- 2x ALX Frame 100-7
- 2x ALX Guardrail 100-2
- 2x ALX Platform with trapdoor 190 - wooden deck
- 3x ALX Diagonal brace 190
- 5x ALX Horizontal brace 190
- 2x ALX Stabilizer 180
- 1x ALX Set of toeboards 75x190
- 4x Wheel for Folding Tower 125 mm
- 13x Locking clips

### Type D-X 8719998054699

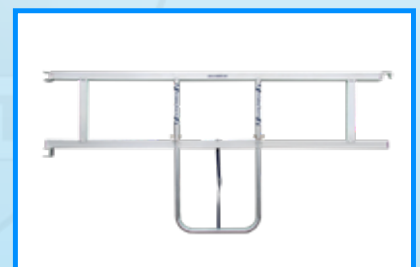
- 1x ALX Folding unit 100-6 (pen)
- 2x ALX Frame 100-7
- 2x ALX Guardrail 100-2
- 2x ALX Platform with trapdoor 190 - wooden deck
- 3x ALX Diagonal brace 190
- 5x ALX Horizontal brace 190
- 2x ALX Stabilizer 180
- 1x ALX Set of toeboards 75x190
- 4x ALX Wheel + Steel Spindle 200 mm (375 kg)
- 9x Locking clips

### Type E-X 8719998055009

- 1x ALX Folding unit 100-6 (pen)
- 4x ALX Frame 100-7
- 2x ALX Guardrail 100-2
- 3x ALX Platform with trapdoor 190 - wooden deck
- 6x ALX Diagonal brace 190
- 6x ALX Horizontal brace 190
- 2x ALX Stabilizer 180
- 1x ALX Set of toeboards 75x190
- 4x ALX Wheel + Steel Spindle 200 mm (375 kg)
- 13x Locking clips

## ALUMEXX SCAFFOLD PARTS FOR ALX FS, AS EN BS

	Item number
ALX Frame 135-7	BL1357
ALX Frame 135-4	bl1354
ALX Guardrail 135-2	BL1352
ALX Frame 100-7	990608986
ALX Frame 100-4	bl1004
ALX Guardrail 100-2	990608987
ALX Frame 75-7	BL757
ALX Frame 75-4	bl754
ALX Guardrail 75-2	BL752
ALX Platform without luik 200 wooden deck	990608989
ALX Platform with luik 200 wooden deck	990608988
ALX Platform without luik 250 wooden deck	BLplat250
ALX Platform with luik 250 wooden deck	Basic line plat+250
ALX gecoat platform without luik 250   carbon deck	8719998056280
ALX gecoat platform with luik 250   carbon deck	8719998056358
ALX Diagonal brace 200	990608990
ALX Diagonal brace 250	BLds250
ALX Horizontal brace 200	990608991
ALX Horizontal brace 250	BLhs250
<i>Alumexx schoren zijn ook verkrijgbaar in 7 verschillende kleuren. Vraag uw dealer naar de mogelijkheden.</i>	
ALX X-Frame 190	8719998052251
ALX X-Frame 250	8719998052305
ALX AGS Light 250	8719998055917
ALX Stabilizer 180	990608992
ALX Stabilizer 280	990608993
ALX Telestabilizer 180	990609171
ALX Wheel with steel spindle Ø150 mm	990608995
ALX Wheel with Steel Spindle Ø200 mm (375 kg)	90506605
ALX Wheel for Folding Tower Ø125 mm	8719998056136
ALX Set of toeboards wood 75x200	8719998055214
ALX Set of toeboards wood 75x250	8719998054989
ALX Set of toeboards wood 100x200	990608994
ALX Set of toeboards wood 100x250	8719998055276
ALX Set of toeboards wood 135x200	8719998055238
ALX Set of toeboards wood 135x250	BLKtpl135x250
ALX Locking clips	alxbc



## ALUMEXX SCAFFOLD ACCESSORIES

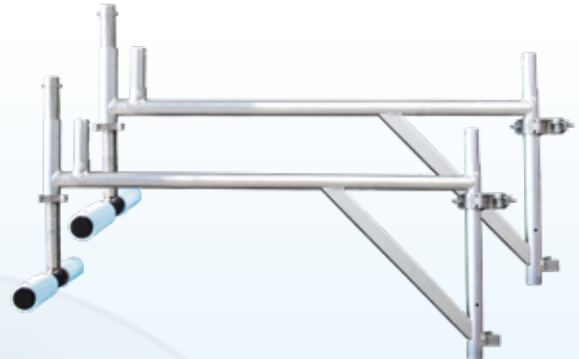
### ALUMEXX ROOF CONSOLE

The ALX Roof console (set of 2) is a very handy tool for giving safe access to dormer windows and sloping roofs from a rolling tower.

The roof console can be fixed at any height quickly and easily (in combination with your standard rolling tower material).

A set consists of two supports and an extension. You attach the roof console to the outside of the rolling tower with steel swivel couplings.

The console lies at the bottom against the upright of the extension frame and has to be fixed with a coupling. Equipped with a plastic protective sleeve to prevent damage to the roof tiles. The console supports on the roof. You can use the standard extension frames or loose pipes with couplings as a guardrail.



	Item number	Components
ALX Dakconsole	8719998999334	2x Supports and an extension 2x Steel swivel couplings 51/51

### ALUMEXX SCAFFY

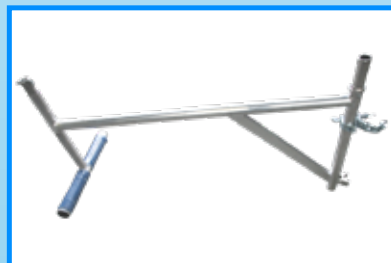
This innovative product protects your walls, façades and window frames while working on a folding scaffold or rolling tower. Our Scaffy scaffolding bumper fits every scaffolding. In 2004, the Scaffy was nominated for the ID-NL annual award. Your own scaffolding bumper? We can adjust the scaffolding bumper for larger quantities according to your wishes.

Set of 4 pieces of 30 and 40 cm.

	Item number
ALX Scaffy 30 cm	90609991
ALX Scaffy 40 cm	90609990



## PHOTOS

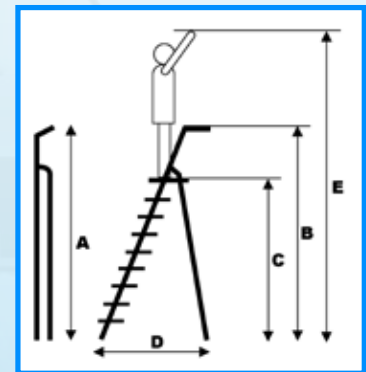
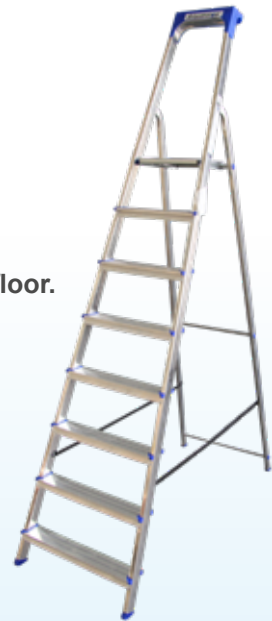


## ALUMEXX ECO-LINE

Alumexx Eco-Line stepladder is a lightweight household stepladder. This Alumexx household stepladder makes it possible for the handyman to get to know at home, professional working at height.

### Characteristics:

- The stepladder has a load capacity of 150 kg.
- The steps are equipped with anti-slip profiles.
- The plastic caps ensure the stepladders not to slip and do not damage the floor.
- The stepladder has a tool box on top of it to store small material.
- The stepladder is available in sizes from 2 steps up to 8 steps.



	Item number	Transport height A	Height standing B	Platform height C	Width open D	Working height E	Weight kg
Eco 2 steps	990609068	102	95	35	49	235	2,6
Eco 3 steps	990609069	125	118	57	61	257	3
Eco 4 steps	990609070	148	140	78	77	278	3,7
Eco 5 steps	990609071	171	162	99	92	300	4,3
Eco 6 steps	990609072	194	184	121	108	321	5
Eco 7 steps	990609073	217	206	143	123	343	5,5
Eco 8 steps	990609074	240	228	164	139	364	6,7

## PHOTOS

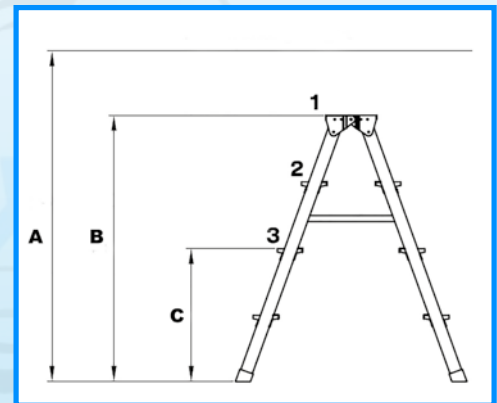


## ALUMEXX DX STEPLADDER

The DX stepladders can be used both indoors and outdoors. All steps are equipped with anti-slip. The ALX DX are very stable and easy to store because it is very compact when closed. Due to the extra wide steps of 80 mm you can stand comfortably on the stairs.

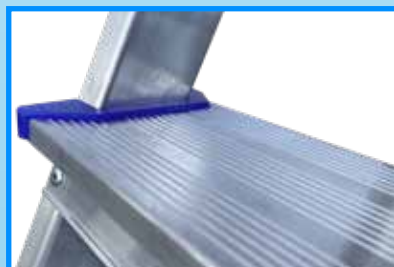
### Characteristics:

- The stepladder has a load capacity of 150 kg.
- The steps are equipped with anti-slip profiles.
- With spread protection
- The stepladders are available from 3 steps to 5 steps



	Item number	Working height A	Platform height B	Height standing C	Kg
DX 3 steps	8719998998894	2217	649	217	3,8
DX 4 steps	8719998999068	2433	865	433	4,9
DX 5 steps	8719998999075	2649	1081	649	6

## PHOTOS



## ALUMEXX BASIC 2 & 3

A very robust steel stepladder with extra wide steps.  
A handy steel coated stepladder, designed for domestic use.  
With extra wide anti-slip steps for extra comfort. Once folded the Alumexx Basic takes up very little space, only 5 cm, and is therefore extremely suitable for your house.

Legislation: EN 14183 and EN 2484.

Characteristics:

- extra wide steps
- Coated steel
- Very robust



	Item number	Steps	Working height
Basic 2	orw2	2 steps	246 cm
Basic 3	orw3	3 steps	268 cm

### PHOTOS





## ALUMEXX EASY

This steel platform stepladder is light in weight and because of it easy to storage. ALX Easy has a nice round design and a higher safety bar for even more stand comfort. The steps are also equipped with anti-slip.

The ALX Easy is an ideal kitchen stepladder and available in 3 different heights.

### Characteristics:

- Folded only 8 cm wide
- Meets EN 14183
- TÜV certified
- Max. 150 kg carrying capacity



	Item number	Height Standing	Transport dimensions	Weight
ALX Easy 2	8719998051797	72 cm	83x46x12 cm	4,6 kg
ALX Easy 3	8719998051803	95 cm	108x46x12 cm	6,3 kg
ALX Easy 4	8719998051810	118 cm	133x46x12 cm	8,7 kg

## PHOTOS



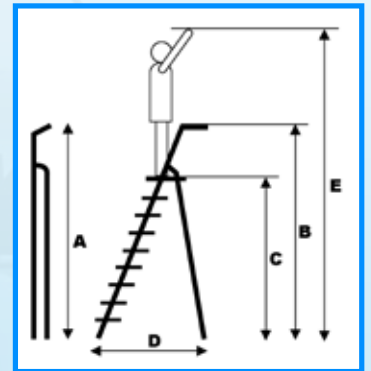
## ALUMEXX UP

Alumexx presents the newest household stepladder: The Alumexx UP. The Alumexx UP is a lightweight household stepladder with an optimum user convenience. First of all, it is quickly collapsible and provided with a special locking device. In addition, a comfortable handle ensures that moving around the house is very easy.

The Alumexx UP is equipped with anti-slip steps and wear-resistant caps. On top of the stepladder you will find a handy toolbox with various storage options plus a bucket hook. The toolbox is also foldable, which creates space to place your bucket.

Available in: 3 up to 6 steps.

Legislation: EN131 with GS certificate.  
Load capacity: 150 kg.



	Item number	Transport height A	Height standing B	Platform height C	Width open D	Working height E	Weight kg
Up 3 steps	up3	150	135	73	50	273	5
Up 4 steps	up4	180	155	98	52	298	6
Up 5 steps	up5	210	185	124	54	324	7
Up 6 steps	up6	240	215	150	60	350	8

## PHOTOS



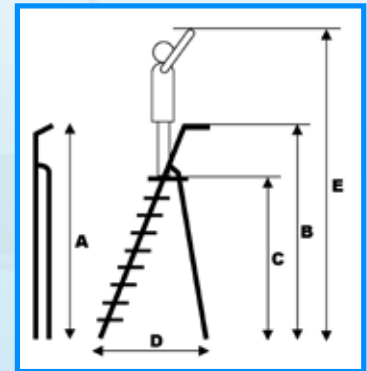
## ALUMEXX TWIN DECK 2.0

This robust household stepladder is of high quality, both in materials and in finish. High-quality aluminium extrusions, combined with soft, solid plastics caps make this stepladder a user-friendly stepladder with a long lifespan. The ALUMEXX TWIN DECK 2.0 complies with both the Dutch as well as the European standards.

The anti-slip platform ensures a stable and anti-slip standing surface. The soft plastic parts protect parts of your body and the materials. The double safety connection provides a very solid construction. The Twin-Deck has remained light in weight due to the high quality materials and is therefore highly manageable. The top deck is equipped with all kinds of holes to store your tools and it has a bucket hook. As an option, the Twin-Deck can also be equipped with a bucket holder and a Twin-Deck bucket with handle.

### Characteristics:

- Double standing surface for more comfort
- Soft plastic parts to protect parts of the body
- Double safety connection for a longer lifespan
- Optionally available: bucket holder and a bucket with handle



	Item number	Transport height A	Height standing B	Platform height C	Width open D	Working height E	Weight kg
Twin deck 2 steps	990609796	118	110	40	48	240	4
Twin deck 3 steps	990609059	139	130	62	50	262	4,7
Twin deck 4 steps	990609060	165	155	83	52	283	5,4
Twin deck 5 steps	990609061	190	180	105	54	305	6,3
Twin deck 6 steps	990609062	209	198	126	60	326	6,8
Bucket	990609664						

## PHOTOS



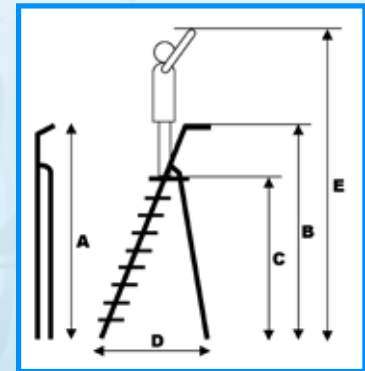
## ALUMEXX BT

The new Alumexx stepladders are characterized by a solid locking device on the top platform and a secured platform that ensures an extremely stable workplace. The Alumexx stepladder let you enjoy durable semi-professional quality. We have invested more than two years in development in these innovative quality products. We looked closely at our existing range of stepladders and especially at the way we could improve them with innovative solutions.

Alumexx stepladders contain qualitative components, are robust and above all: affordable in price.

### Characteristics:

- All steps are riveted
- Available in platform and double stepladder version
- The stepladder is available from 3 up to 8 steps



	Item number	Transport height A	Height standing B	Platform height C	Width open D	Working height E	Weight kg
BT 3 steps	990609310	145	128	75	46	275	5,2
BT 4 steps	990609311	170	148	100	48	300	6
BT 5 steps	990609312	190	169	125	50	325	6,7
BT 6 steps	990609313	220	190	150	53	350	8
BT 7 steps	990609314	245	211	175	55	375	8,9
BT 8 steps	990609315	270	232	200	58	400	9,8

## PHOTOS



## ALUMEXX DT

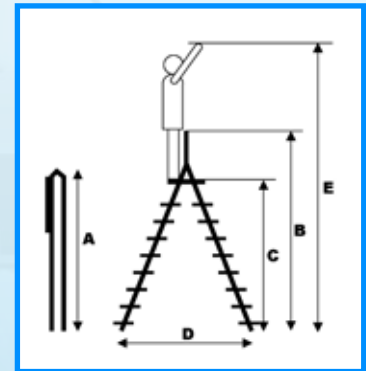
The Alumexx double sided stepladders let you enjoy durable semi-professional quality. We have invested more than two years in development in these innovative quality products.

We looked closely at our existing range of stepladders and especially at the way we could improve them with innovative customised solutions.

The beams are industrial coated which prevents corrosion of the aluminium. Moreover, you will not get dirty hands. The wide steps are riveted for extra stability. Further features are: no inconvenient spreading straps, a wide standing surface, anti-slip profiled steps and robust feet.

### Characteristics:

- Available in single with platform and in double sided version
- The stepladder is available from 2 up to 8 steps



	Item number	Transport height A	Height standing B	Platform height C	Width open D	Working height E	Weight kg
DT 2 steps	990609317	56	50	55	59	255	3,5
DT 3 steps	990609318	160	133	81	77	281	5
DT 4 steps	990609319	185	157	105	96	305	6,5
DT 5 steps	990609320	210	182	130	114	330	8
DT 6 steps	990609321	235	207	155	133	355	9,5
DT 7 steps	990609322	260	232	180	154	380	11
DT 8 steps	990609323	285	257	208	169	408	12

## PHOTOS



## ALUMEXX MAMUT

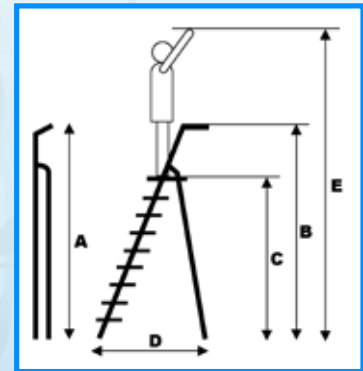
The Alumexx Mamut is a very robust and high quality stepladder. The extra wide steps and an aluminium tear-plate deck allow you to work extra safely. The robust spread protection ensures that it is even more stable.

The Alumexx Mamut is also light in weight, so easy to transport. The load capacity is 150 kg.

Available in 3 up to 8 steps.

### Characteristics:

- High quality
- Very robust stepladder
- Extra wide steps
- Light in weight



	Item number	Transport height A	Height standing B	Platform height C	Width open D	Working height E	Weight kg
Mamut 3 steps	ebwtr3	142	128	64	46	264	5,8
Mamut 4 steps	ebwtr4	164	148	86	48	286	6,8
Mamut 5 steps	ebwtr5	190	169	104	50	304	7,7
Mamut 6 steps	ebwtr6	212	190	126	53	326	9
Mamut 7 steps	ebwtr7	234	211	148	55	348	10
Mamut 8 steps	ebwtr8	260	232	170	58	370	11

## PHOTOS



## ALUMEXX INDUSTRIAL STEPS

The aluminum Industrial Steps from Alumexx are lightweight and extremely robust. They are available in 1 to 3 step versions.

### Characteristics:

- Available in 1 to 3 step versions
- Aluminium treadplate
- Very stable and comfortable
- Dimensions of the steps: 35 x 58 cm
- Load capacity 150 kg
- Standardization: EN 131 and EN 2484



	Item number	Working height	Stand height
1 step	8719998054767	221 cm	21 cm
2 steps	8719998054781	240 cm	40 cm
3 steps	8719998054941	259 cm	59 cm

YOUR NEXT LEVEL SUPPORT!

## PHOTOS



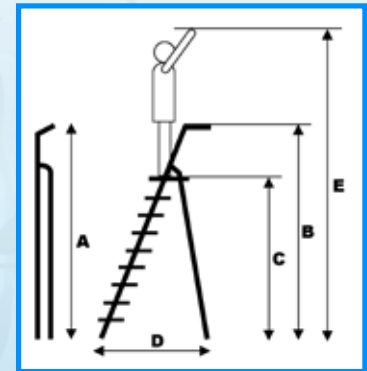
## ALUMEXX FIBERGLASS GRP STEPLADDERS

The fiberglass – also called glass-reinforced plastic (GRP) - stepladders were specially designed for the electrical, chemical and food industries. The non-conductive properties (both thermal and electrical) make them an excellent tool for maintenance teams. A greater part of the fibers consists of continuous long bundles, which are arranged according to the longitudinal direction of the beams.

The result is a lightweight stepladder with an excellent stiffness and strength. The large treads offer a great user comfort. The treads are mechanically attached to the beams and secured with stainless steel rivets, so that these stepladders have a unique stability.

### Characteristics:

- Hinges, safety lock and rivets are made of stainless steel.
- Also available in a mobile version, prices on request.
- Available in sizes 3 to 12 steps.



	Item number	Transport height A	Height standing B	Platform height C	Width open D	Working height E	Weight kg
BT 3 steps	8919325137552	155	128	75	44	275	6,6
BT 4 steps	8719325137569	180	148	100	47	300	7,6
BT 5 steps	8719325137576	205	169	125	49	325	8,4
BT 6 steps	8719325137583	235	190	150	52	350	9,6
BT 7 steps	8719325137590	255	211	175	55	375	10,8
BT 8 steps	8719325137606	285	232	200	57	400	12
BT 10 steps	8719325137613	340	211	250	63	450	14,5
BT 12 steps	8719325137613	395	232	300	68	500	17

## PHOTOS





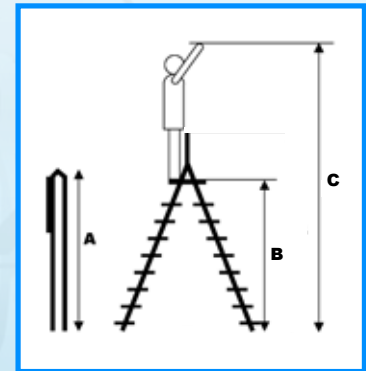
## ALUMEXX FIBERGLASS GRP DOUBLE SIDED STEPLADDER

The fiberglass – also called glass-reinforced plastic (GRP) - stepladders were specially designed for the electrical, chemical and food industries. The non-conductive properties (both thermal and electrical) make them an excellent tool for maintenance teams. A greater part of the fibers consists of continuous long bundles, which are arranged according to the longitudinal direction of the beams.

The result is a lightweight stepladder with an excellent stiffness and strength. The large treads offer a great user comfort. The treads are mechanically attached to the beams and secured with stainless steel rivets, so that these stepladders have a unique stability.

### Characteristics:

- Hinges, safety lock and rivets are made of stainless steel.
- Also available in a mobile version, prices on request.
- Available in sizes 2×3 to 2×10 steps.



	Item number	Transport height A	Platform height B	Working height C	Weight kg
<b>GVK DT 3 steps</b>	8719325137637	91	75	275	6
<b>GVK DT 4 steps</b>	8719325137644	118	100	300	7,5
<b>GVK DT 5 steps</b>	8719325137651	140	125	325	9,2
<b>GVK DT 6 steps</b>	8719325137668	172	150	350	11
<b>GVK DT 8 steps</b>	8719325137675	226	200	400	15
<b>GVK DT 10 steps</b>	8719325137682	280	250	450	18,7

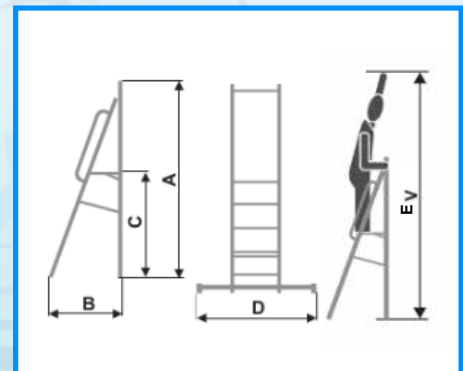
## PHOTOS



## ALUMEXX PLATEAU LADDERS

The Alumexx Platform ladder is a robust, collapsible and user-friendly platform ladder. Lightweight due to the aluminium construction and extra stable due to the wide platform and stabiliser bar. Also, easy to move through the wheels at the front. Ideal for working at storage floors or storage racks.

Of course, affordable customization based on your wishes is also possible.



Item number	Transport height A	Height standing B	Platform height C	Width open D	Working height E	Weight kg	
ALX Plateau Ladder 5	tor5	219	86	119	125	319	13,7
ALX Plateau Ladder 6	tor6	244	95	144	125	344	15,4
ALX Plateau Ladder 7	tor7	268	104	168	125	368	17
ALX Plateau Ladder 8	tor8	293	112	193	125	393	18,6
ALX Plateau Ladder 9	tor9	317	121	217	125	417	20,3

## PHOTOS



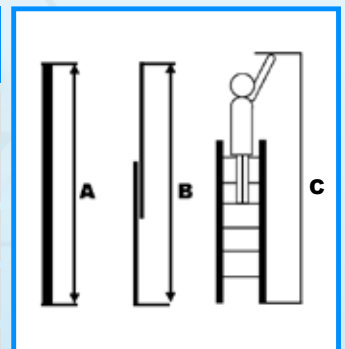
## ALUMEXX 2- & 3- PART LADDER

The Alumexx ladders are combination ladders. Therefore, you can also use them in an A-position. The wide stabiliser bar provides more grip and comfort while using the ladder. The ladder is made of high-quality aluminium, so you do not get dirty hands. Complies with all the legal safety standards.

This robust lightweight ladder is easy to handle and very labour friendly. The ladders are available in both 2-part and 3-part.



	Item number	Lengte in A	Lengte uit B	Werk hoogte C	Gewicht kg
ALX 2x6	990609189	175	275	375	8
ALX 2x8	990609190	225	350	450	11
ALX 2x10	990609191	275	450	550	13,5
ALX 2x12	all212	325	550	650	17
ALX 2x14	8586003390451	375	650	750	20
ALX 2x16	8586003391236	425	750	850	23
ALX 3x6	990609192	175	350	450	15
ALX 3x8	990609584	225	475	575	16,5
ALX 3x9	990609193	250	550	650	23
ALX 3x10	990609194	275	625	725	24
ALX 3x12	all312	325	775	875	29



### Accessories

ALX stabilization bar 8719998040548

## PHOTOS



## ALUMEXX XD SINGLE LADDERS

Equipped with the unique D-sport that provides even more stability, longer lifespan and larger standing surface.

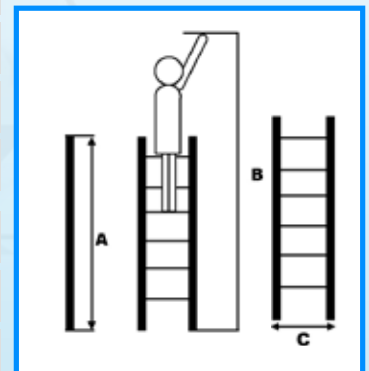
Naturally, all XD ladders comply with the applicable standards and inspection requirements.

Characteristics:

- VGS Security guarantee
- Commodities Act
- NEN 2484
- EN 131

With the XD ladder you work safely and is the perfect ladder for every job.

	Item number	Total height A	Working height B	Ladder width C	Weight kg
ALX XD 1x8	xdouble8	225	325	43,5	4,1
ALX XD 1x10	xdouble10	280	380	43,5	4,9
ALX XD 1x12	xdouble12	325	425	43,5	6,1
ALX XD 1x14	xdouble14	380	480	43,5	7
ALX XD 1x16	xdouble16	425	525	43,5	8
ALX XD 1x18	8719998052084	475	575	43,5	18,6
ALX XD 1x20	8719998052121	525	625	43,5	20,3
ALX XD 1x8	xdoubleb8	230	330	43,5	7,1
ALX XD 1x10	xdoubleb10	285	480	43,5	7,9
ALX XD 1x12	xdoubleb12	330	430	43,5	9,1
ALX XD 1x14	xdoubleb14	385	485	43,5	10
ALX XD 1x16	xdoubleb16	430	530	43,5	11
ALX XD 1x18	8719998052084	525	625	43,5	12
ALX XD 1x20	8719998052121	575	675	43,5	13



### Accessories

ALX Ladder hooks	87199980418
ALX Tele-X Stabilization bar	8719998052237
ALX XD Stabilization bar	xdstb

## PHOTOS



## ALUMEXX XD 2- & 3-PART LADDERS

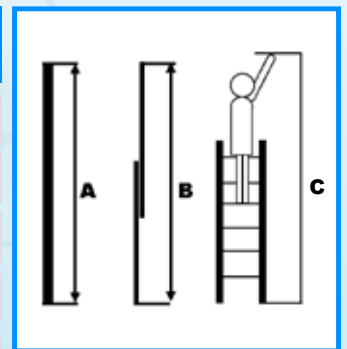
The Alumexx XD ladder offers you the industrial character of a ladder with the unique D-sport at an affordable price. The ladder is also provided with a stabiliser bar. Use it as a push-up ladder along the wall or put it easily in an A-position (up to 12 steps).

With the Alumexx XD ladder, you work safely. The safety hook with safety device prevents the ladder from collapsing while you use it. The Alumexx XD ladder is the perfect ladder for every job. Available in 2-part and 3-part. Equipped with stabiliser bar that allows you to work safely and stable at any height.

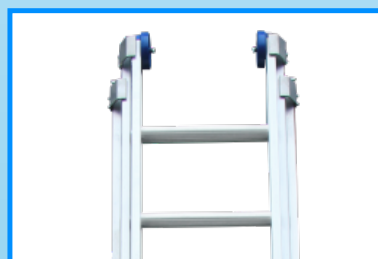
Legislation: VGS Security guarantee, NEN 2484, EN 131



	Item number	Length in A	Length out B	Working height C	Weight kg
ALX XD 2x8	XDBL28	225	375	475	11
ALX XD 2x10	XDBL210	280	475	575	13,5
ALX XD 2x12	XDBL212	325	550	650	17
ALX XD 2x14	XDBL214	380	675	775	21
ALX XD 2x16	XDBL216	425	775	875	25
ALX XD 3x8	XDBL38	225	525	625	17
ALX XD 3x10	XDBL310	280	675	775	21,5
ALX XD 3x12	XDBL312	325	825	925	29
ALX XD 3x14	XDBL314	380	905	1005	31
ALX XD 3x16	XDBL316	415	1015	1115	34



## PHOTOS



## ALUMEXX FIBERGLASS GRP SINGLE LADDERS



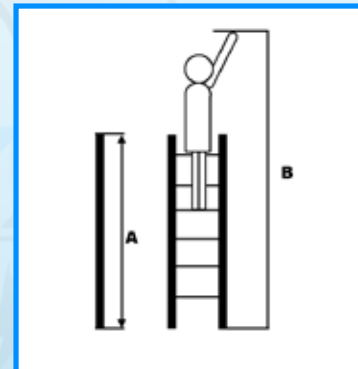
The beams are made of a high-quality fiberglass-polyester combination. The outer and inner walls of the beams have reinforcements in all directions and are finished with a surface fleece.

Fibers lie in continuous long bundles inside the walls, which are arranged along the length of the ladder beam. The result is a lightweight ladder with an excellent stiffness and strength. The rectangular box profiles of the ladder ensure not only the bending stiffness, but also good lateral and torsional stiffness of the ladder.

### Characteristics:

- The rungs are also fiberglass.
- The connection is based on bonding and mechanical locking.
- These ladders were designed according to European Standard EN131 and are available in a traight version.

	Item number	Total height A	Working height B	Weight kg
ALX GVK 1x14	8719325137699	375	475	4,1
ALX GVK 1x16	8719325137705	425	525	4,9
ALX GVK 1x18	8719325137712	475	575	6,1
ALX GVK 1x20	8719325137729	525	625	7

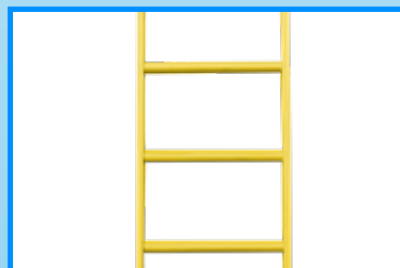


### Accessories

ALX GVK Stabilization bar	8719325137736
---------------------------	---------------

YOUR NEXT LEVEL SUPPORT!

## PHOTOS



## ALUMEXX FIBERGLASS GRP 2-&3- PART LADDERS

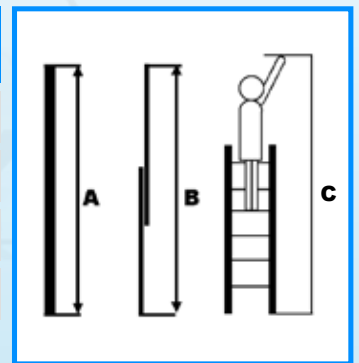
The ladders are made of fiberglass reinforced plastic (GRP) and are specially designed for the electrical, chemical and food industry.

The insulating properties (both thermal and electric) make them an excellent tool for maintenance teams. A large part of the fibers consists of continuous long bundles, which are arranged according to the longitudinal direction of the posts. This achieves excellent stiffness and strength at a low weight.

These ladders come standard with stabilization bar, under wide flared on request.



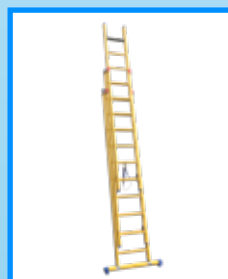
	Item number	Length in A	Length out B	Working height C	Weight kg
ALX GVK 2x8	8719325137743	225	350	450	13
ALX GVK 2x10	8719325137750	275	450	550	16
ALX GVK 2x12	8719325137767	325	525	625	18
ALX GVK 2x14	8719325137774	375	625	725	21
ALX GVK 3x8	8719325137781	225	475	575	19
ALX GVK 3x10	8719325137798	275	625	725	21
ALX GVK 3x12	8719325137804	325	725	825	26



### Accessories

ALX GVK ladderbalk	8719325137736
--------------------	---------------

## PHOTOS



## ALUMEXX MULTI FOLDING LADDER

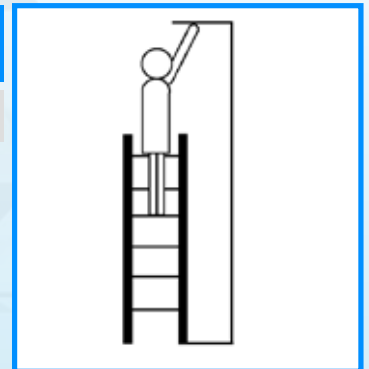
Alumexx Multi Folding Ladder / Stepladder is ideal for use in and around the house, garden or garage. Also handy with a platform so you can stand on the multi folding ladder / stepladder.

Folded very compact and very robust.

Ideal double sided stepladder, ladder and scaffolding system for the DIY; Platform included.



	Item number	Working height Stepladder	Working height Ladder	Working height Scaffold	Weight kg
Mutli Folding ladder	990608997	119	380	480	14,8



YOUR NEXT LEVEL SUPPORT!

Watch the video on our website to see how you can use the ladder.

[www.alumexx.nl/product/multi-vouwladdertrap/](http://www.alumexx.nl/product/multi-vouwladdertrap/)

## PHOTOS





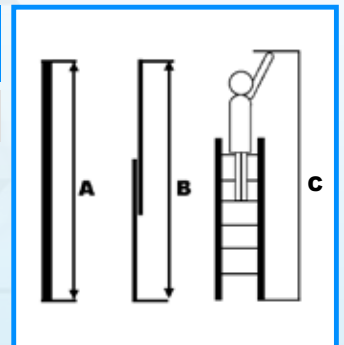
## ALX TELESCOPIC LADDER 4x4

The multifunctional all-in-one ladder and stepladder (single ladder and double sided stepladder). Also suitable for uneven levels (bijv. een vaste trap), ingeklapt zeer compact.

Ideal for jobs in and around the house such as replacing a lamp or painting a wall.



	Item number	Folded length A	Max. ladder length B	Working height C	Weight kg
Telescopische Ladder 4x4	990608926	140	384	484	13,5



## ADJUSTABLE FOOT

New option for working on uneven surfaces or in stairways with the 4x4 telescopic ladder adjustable foot.

The adjustable leg is easy to attach and adjust in height.



ALX Adjustable foot	990608926
---------------------	-----------

## PHOTOS



## ALUMEXX QUICKSTEP

The Alumexx Quickstep is a handy and very compact ladder and easy to handle, transport and operate to the desired level manually.

This telescopic ladder offers the quality and diversity you are accustomed to from Alumexx, naturally at a competitive price because we produce in bulk.

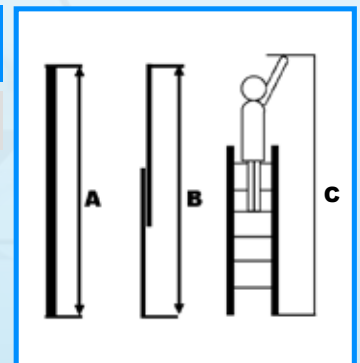
Despite the small storage length and light weight, the Alumexx Quickstep can be loaded up to 150 kg.

Characteristics:

- Weight: 14,8 kg
- Maximal loaded to 150 kg
- 13 sports

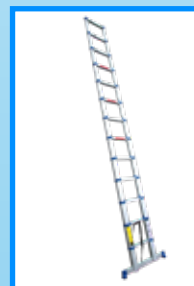
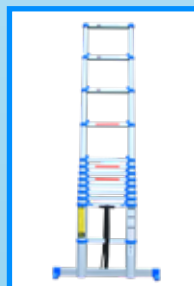


	Item number	Length in A	Length out B	Working height C	Weight kg
<b>Quickstep 3,8</b> 13 sports	QS110380	119	380	480	14,8



YOUR NEXT LEVEL SUPPORT!

## PHOTOS



## ALUMEXX TELESTEPS



<b>Telesteps Classico</b>	Item number	Length in A	Length out B	Working height C	Weight kg
<b>Telesteps Classico 2,6</b>	60226-501	72	260	360	8



<b>Telesteps Eco-Line</b>	Item number	Length in A	Length out B	Working height C	Weight kg
<b>Telesteps Eco-Line 3,2</b>	60233-501	77	320	430	11,5
<b>Eco-Line 3,8 with stabilization bar</b>	20138-601	89	380	480	13,5



<b>Telesteps Blue Line</b>	Item number	Length in A	Length out B	Working height C	Weight kg
<b>Telesteps 10 sports</b>	ttb30	80	300	400	8,8

## ALUMEXX ACCESSORIES

Alumexx offers a wide range of accessories to make your projects easier.



With the Ladderlimb you can hang a bucket or other tools at any desired position of the ladder. The product is universally applicable to the most common ladders and is stuck by the durable rubber compound in the sport of the ladder, both on the left and the right side.



The Laddermat is designed to prevent the ladder sliding. A mix of high-quality rubbers, polymers and catalysts ensures optimum skid resistance. The Laddermat has been tested by TNO. The Laddermat is also made of a very durable rubber with SBR 70 shore. The product is 100% recyclable. The size of the laddermat is 126 cm.



Laddermax is a professional and universal wall bracket that fits on every ladder. This product is convenient if you have to clean f.e. gutters. With the Laddermax the distance to the wall becomes 55 cm. Maximum carrying weight: 10 kg



By mounting the Alumexx Roofhook at the top of the ladder you can hang the ladder over the ridge of a roof. The ladder can therefore no longer slide down - and neither do you. As a result, the Roofhook offers a safe way to work with a ladder on sloping roofs. This Alumexx Roofhook can be mounted on virtually all Alumexx Ladders, without a lot of effort. The maximum load is 150 kg.

## ALUMEXX SAFETYCLICK

Safetyclick; a unique and globally patented concept for the safe use and storage of ladders. All over the world, most accidents occur with working at height due to the sliding and/or falling of ladders. Both for hobby and commercial use.

The patented construction of Safetyclick, with its unique construction that prevents tipping over and/or sliding away of ladders. The Safetyclick is the solution for the safe use of ladders.

Safetyclick has designed different types and mounting possibilities in order to work safely in every situation.

The standard Safetyclick has been produced in various types in indestructible stainless steel (extremely strong and corrosion free) for lifelong use and safety. The other types, which are intended for safe working on ladders in construction and industry (including scaffolding and stage construction), the Safetyclick is made of industrial aluminium.

Safetyclick stands for safety and user-friendliness. In addition, the Safetyclick is very fast and easy to assemble.



## ALUMEXX X-STEP

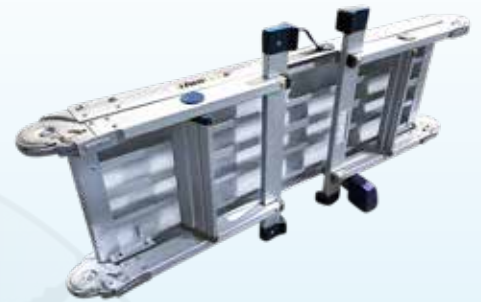
The Alumexx X-step is a collapsible work platform with the EN 131-4 certification. Due to the aluminium components it has a weight of only 8.8 kilograms. You can easily take it with you wherever you go. Unfold the Alumexx X-step and place it on a stable surface. Put the platform on top of it (or halfway) so you get easier within the range of your windows, window frames or branches. You can load the X-step up to 150 kg. It is equipped with a 339 mm wide anti-slip standing surface and anti-slip feet. This allows you to work as safely as possible with the X-step.

Legislation:  
GS Certificate S 50301466, TÜV Rheinland

Dimensions: LxWxH folded 115 x 36 x 14 cm

Characteristics:

- Extra wide anti-slip standing surface
- Handle for transporting
- Only 8,8 kg



	Dimensions unfolded	Dimensions folded	Working height	Item number
X-Step	148 x 51 x 47 cm	115 x 36 x 14 cm	250 cm	axstep

YOUR NEXT LEVEL SUPPORT!

## PHOTOS



## ALUMEXX HANDY-X

The Alumexx Handy-X is useful for every handyman. Use it as a workbench, trestle or platform. It can be used in several ways.

With the Handy-X in the platform position you can work on a stable working platform, so that you can reach safely higher places.

When you put a platform on top of two Handy-X, you can use it as a workbench to place your tools on it.



	Dimensions unfolded	Dimensions folded	Item number
Handy-X	89 x 15 x 84 cm	98 x 15 x 84 cm	hxpst



When you have a platform on top of two Handy-Xs you can use it as a workbench to place your tools on it.

## PHOTOS



## ALUMEXX MORTAR TUB TROLLEY

Easy to move and that makes the Mortar tub trolley essential in and around the house. The Masonry trolley is entirely made of aluminium, making it not only light in weight but extremely robust and resistant to rust. The trolley is also fully foldable and removable, so that you can easily transport it.

A 90 litres mortar tub fits on it.

The MORTAR TUB TROLLEY is delivered without a tub.

### Characteristics:

- Easy to move
- Resistant to rust
- Low in weight and extremely robust
- Fully foldable
- For a standard mortar tub of 90 litres



Item number

Mortar tub trolley

8719998999327

YOUR NEXT LEVEL SUPPORT!

## PHOTOS





# ***Alumexx***<sup>®</sup>

## **ALL TYPES OF LADDERS & STEPLADDERS**



## **SCAFFOLDS FOR EVERY JOB**



**TOM CORONEL**



**AMBASSADOR OF :**  
***Alumexx***<sup>®</sup>



**STEPLADDERS**



**LADDERS**



**SCAFFOLDING**





**Alumexx N.V.**

Leerlooierstraat 30 | 4871 EN Etten-Leur | The Netherlands

Telephone: +31 (0) 76 – 303 35 96 | E-mail: [info@alumexx.nl](mailto:info@alumexx.nl)

**Your Alumexx dealer:**