

Patent no EP 0527766, GB 2263932 and other Patents pending
Design Reg. No 000108964 (EU), 77588 (NO)

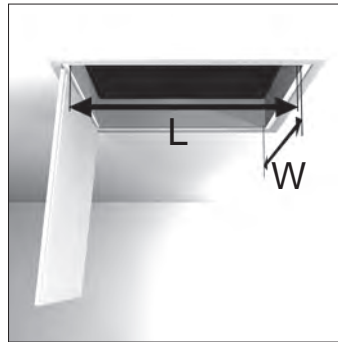
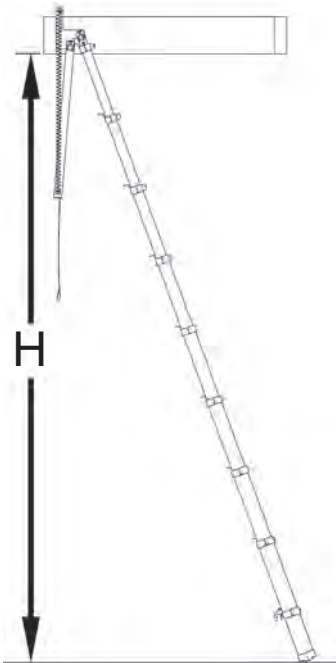
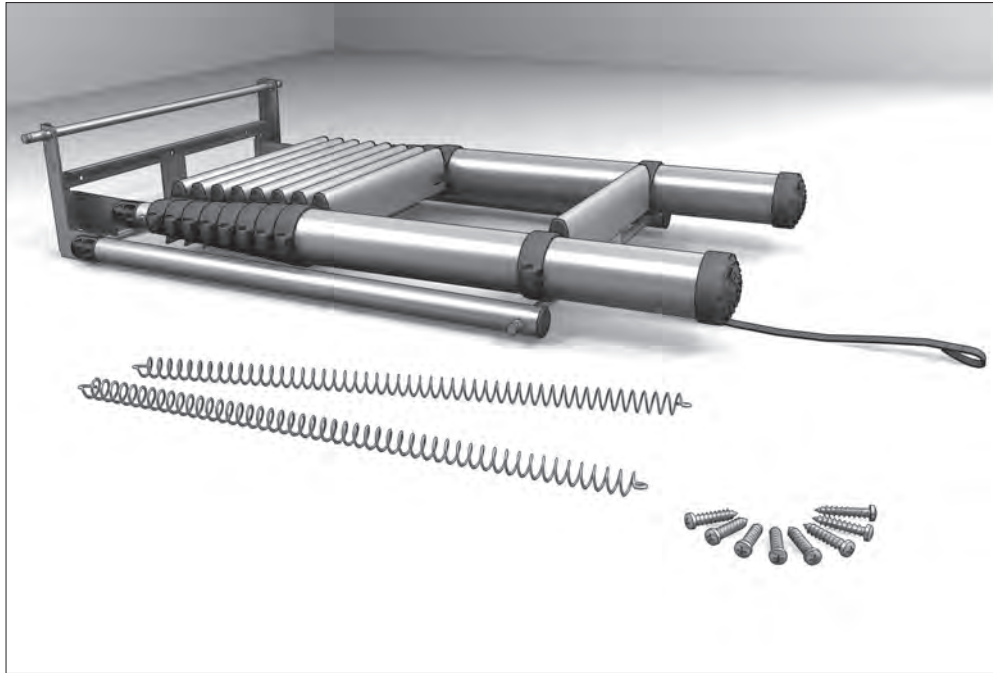
Telesteps AB
Box 362
SE-573 24 TRANÅS
SWEDEN

www.telesteps.com

100-1550-01

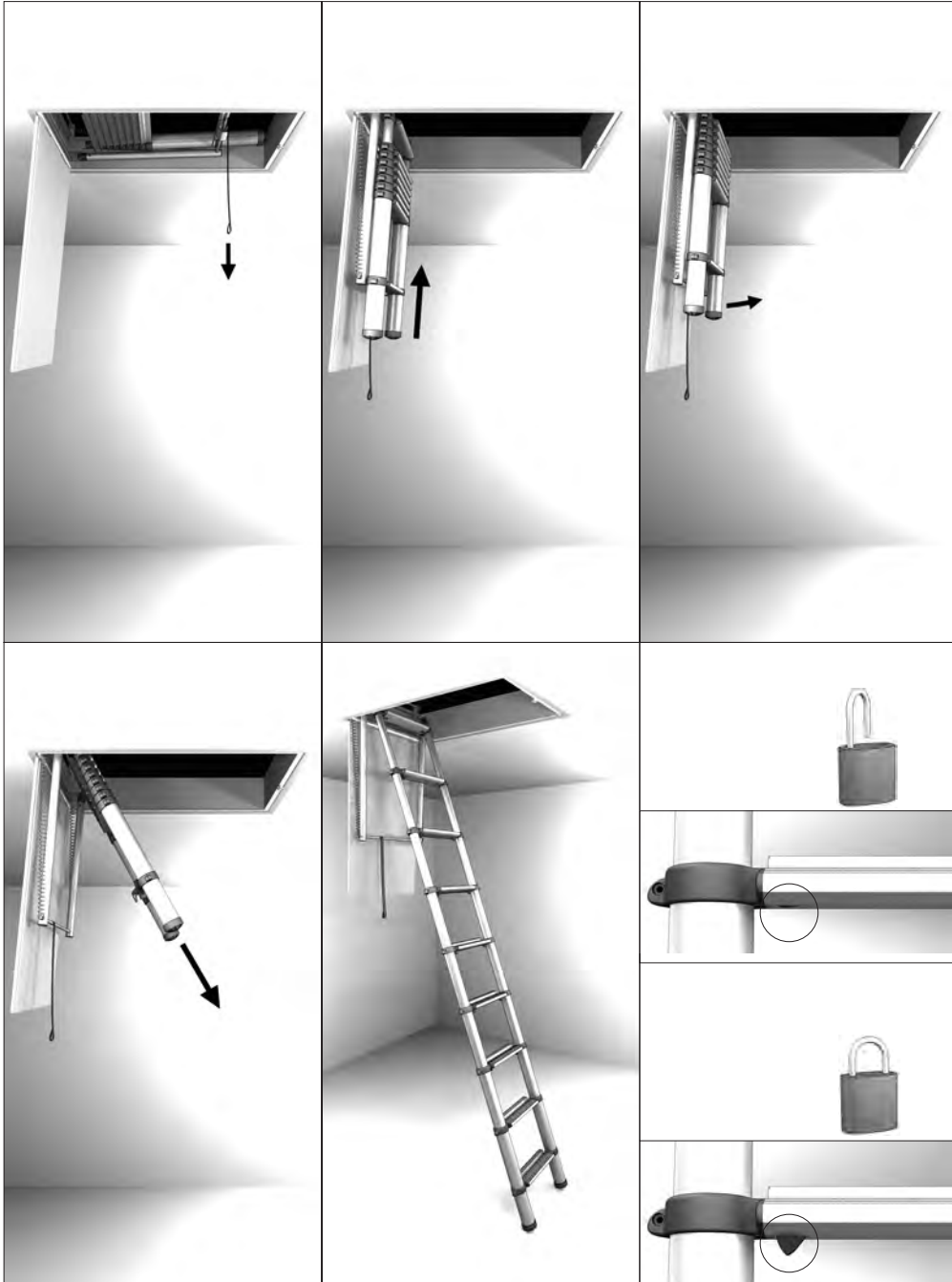


Copyright © Telesteps AB 2017

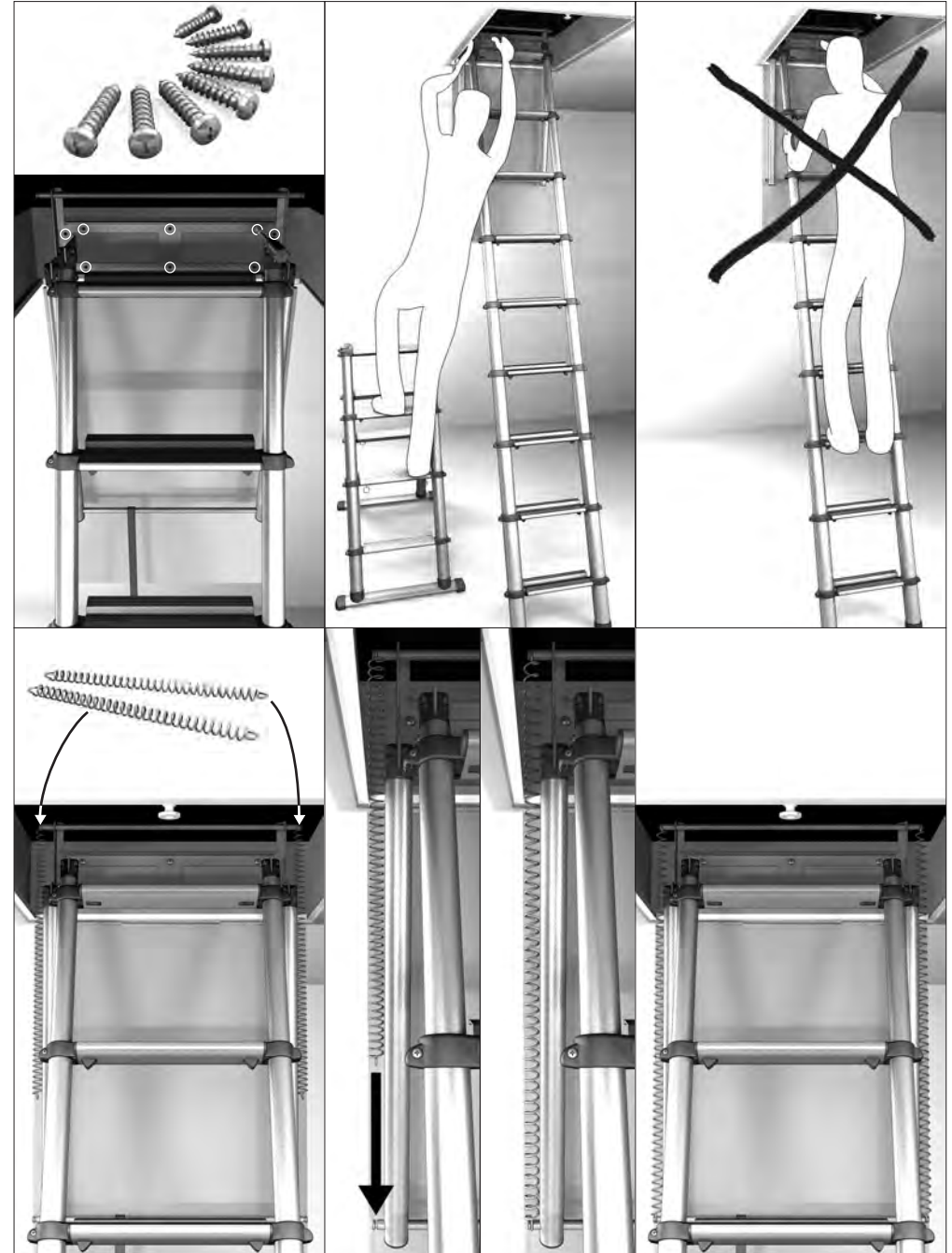


H = 2,52 - 3,00 m
L = Min 920 - 1 100 mm
W = Min 520 mm

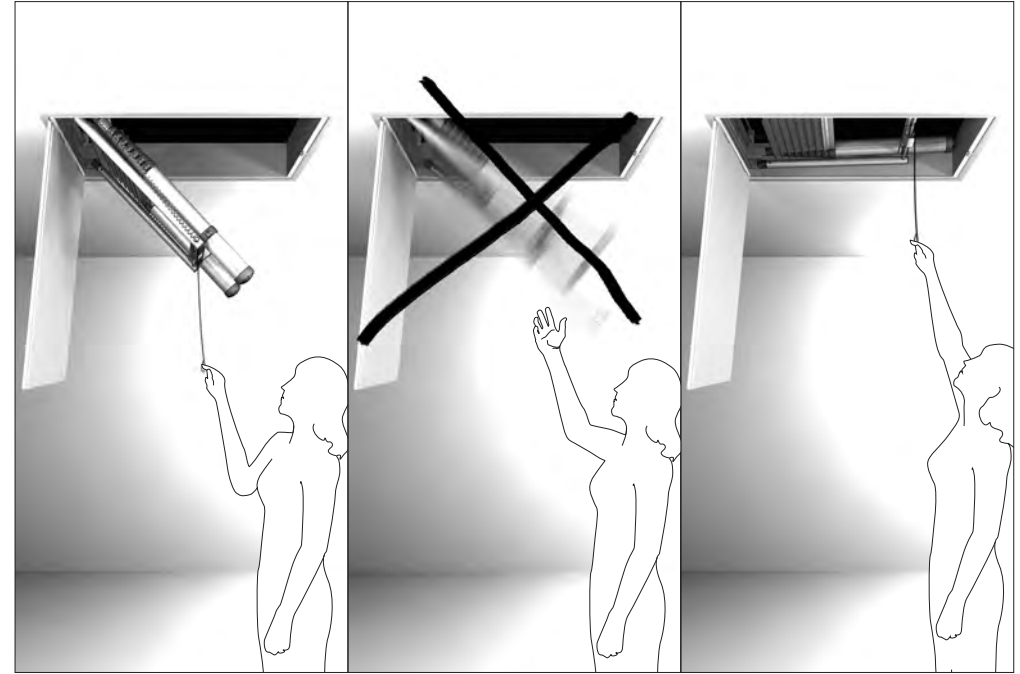
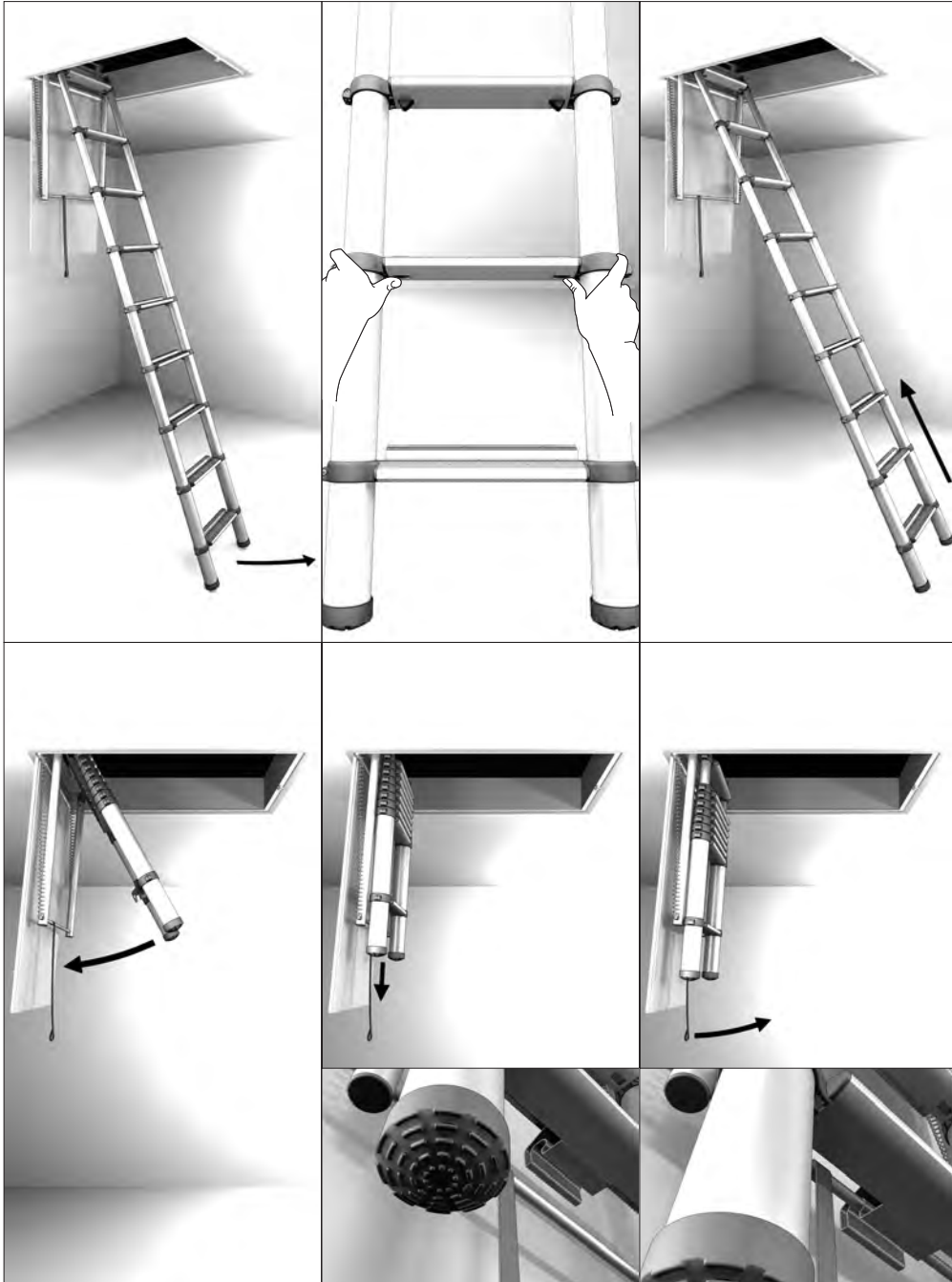
Fälla ut / Open



Montering / Assembly

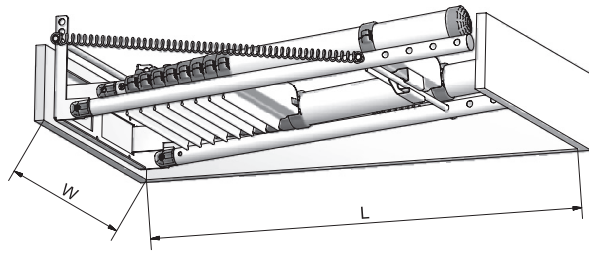
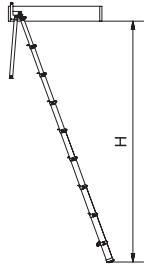


Fälla ihop / Close



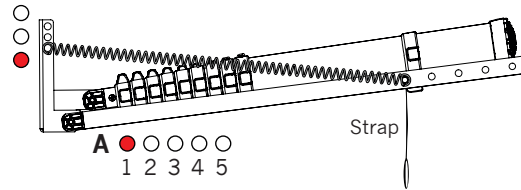
ADJUSTABLE LOFT LADDER 60927

H = 2,52 – 3,00 m



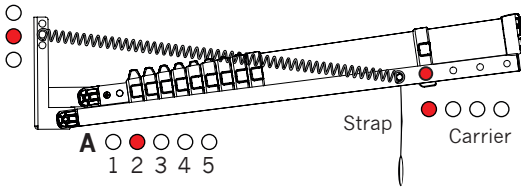
1

H = 2,52 – 2,75 m
W = 520 mm
L = 920 mm



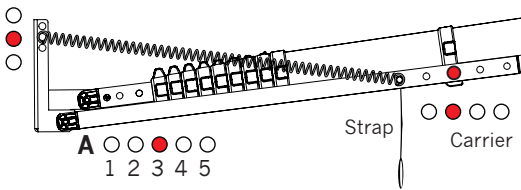
2

H = 2,70 – 2,80 m
W = 520 mm
L = 950 mm



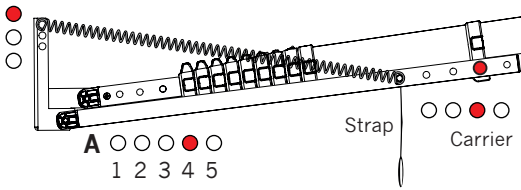
3

H = 2,75 – 2,85 m
W = 520 mm
L = 1000 mm



4

H = 2,80 – 2,90 m
W = 520 mm
L = 1050 mm



5

H = 2,85 – 3,00 m
W = 520 mm
L = 1100 mm

